

# Magnet drive gear pump-motor units FG200/FG300 series



Find out more

The Fluid-o-Tech® FG series combines a 24V brushless DC drive motor in a rotor-less configuration with a high precision mag drive MG or PG series gear pump to deliver a high end system capable of handling fluids in the most demanding applications. The service life of the unit, due to fewer moving parts and to the excellent balance of the system, is greatly extended compared to the traditional pump-motor units. The integration of the pump, motor and variable speed controller provides an electromagnetically coupled, leak free fluidic system with a high degree of versatility. The extreme accuracy of the design and of the finishing allows the unit to deliver a smooth and pulsation free flow in all conditions. Different materials are available for a wide array of fluids.



## MAIN APPLICATIONS

- Medical equipment
- Hemodialysis apparatus
- Laser apparatus
- Lubrication
- Ink-Jet printing systems
- Cooling systems
- Laboratory instrumentation
- Water treatment
- Sampling
- Food processing equipment



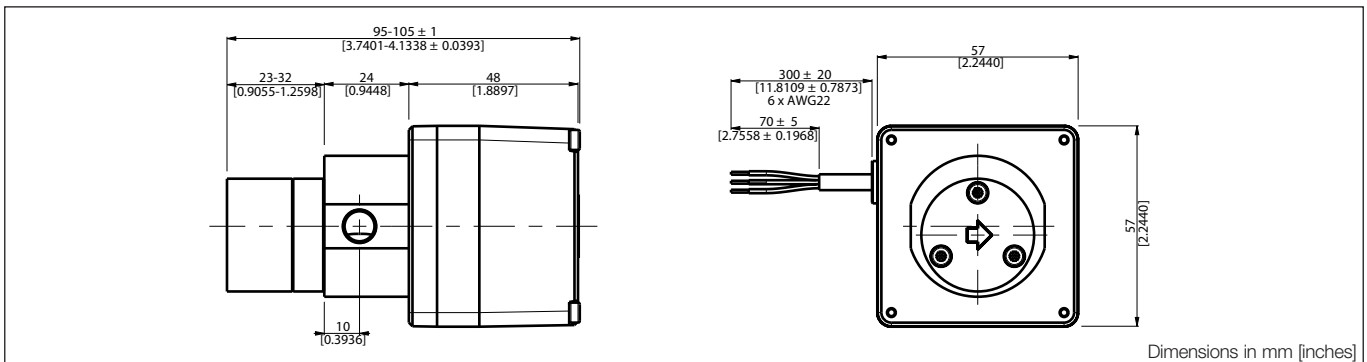
## TECHNICAL INFORMATION

Pump housing material	AISI 316L or PPS	Motor type	24 V BLDC
Gears and bushing material	Peek/PTFE	Speed range	from 500 to 5000 rpm
Ports	1/8" GAS or NPT	Max output power	50 W
Max static pressure	20 bar/290 psi	Motor IP protection	IP 52
Max vacuum	724 mmHg/28.5 inHg	Insulation class	F
Wet lift with water*	~ 8 m/26.2 ft	Unit weight	AISI 316L 910g/2lb - PPS 550g/1.2lb

\* Priming ability varies with operating conditions and fluid characteristics

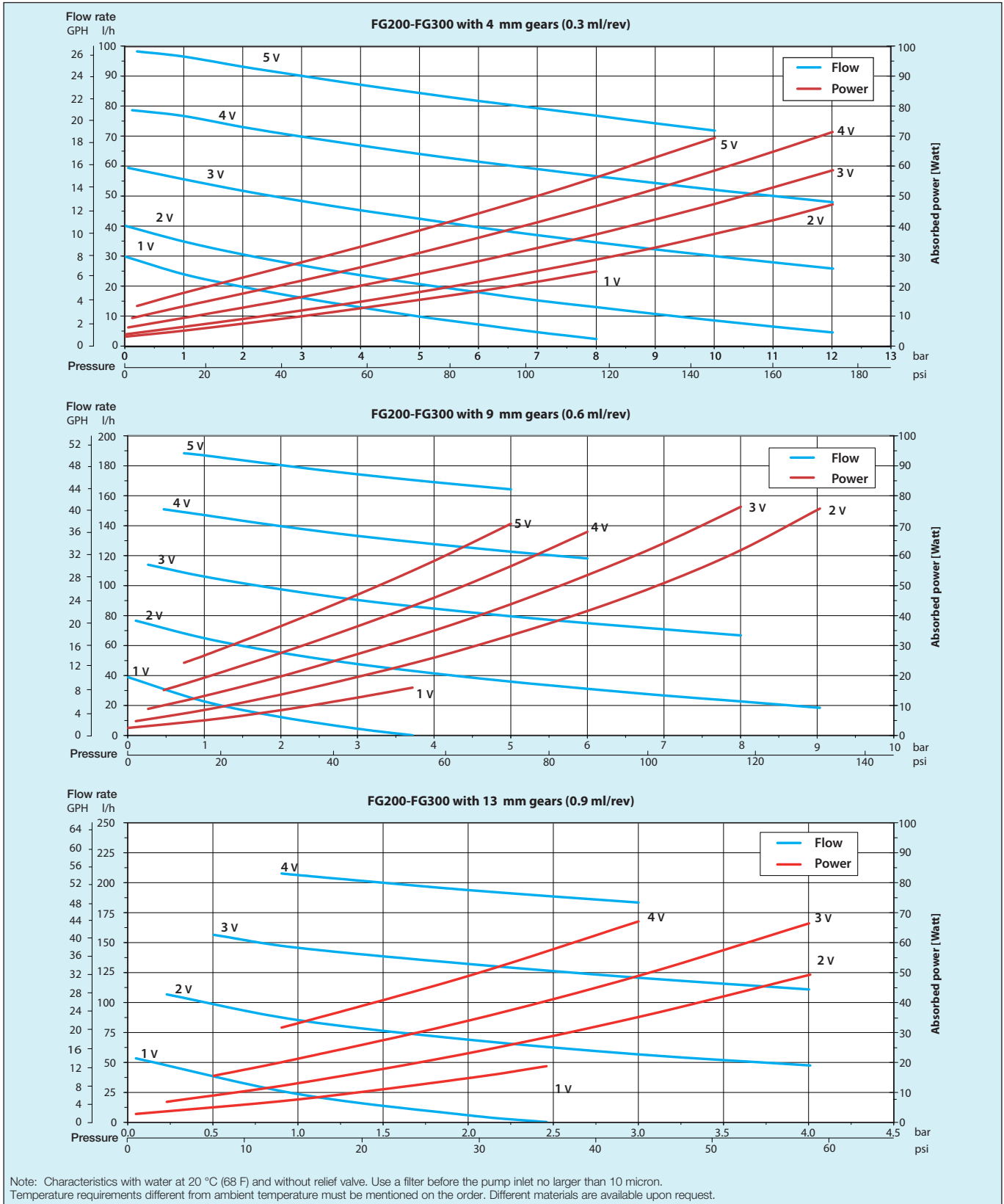
## OPERATING RANGE

Max ambient temperature	40 °C/104 F	70 °C/150 F	40 °C/104 F
Fluid temperature	95 °C/203 F	55 °C/131 F	40 °C/104 F
Max torque	30 mNm/4.2 in-oz at 5000 rpm	70 mNm/9.9 in-oz at 3500 rpm	100 mNm/14.1 in-oz at 3500 rpm
Min ambient temperature	5°C/41 F		



Dimensions in mm [inches]

# Magnet drive gear pump-motor units FG200/FG300 series



Fluid-o-Tech reserves the right to alter the specifications indicated in this catalogue at any time and without prior notice.

**Fluid-o-Tech srl**  
 Via Leonardo da Vinci, 40  
 20094 Corsico, Milano, Italy  
 Tel. +39 02 9995 01  
 Fax +39 02 9995 0999  
 info@fluidotech.it

**Fluid-o-Tech Int'l Inc.**  
 161 Atwater St.,  
 06479 Plantsville CT (USA)  
 Tel. +1 (860) 276 9270  
 Fax +1 (860) 620 0193  
 info@fluid-o-tech.com

**Fluid-o-Tech Int'l Inc. Japan**  
 203, 2-17-19, Ebara, Shinagawa  
 Tokyo 142-0063, Japan  
 Tel. +81 (0) (3) 3783 9660  
 Fax +81 (0) (3) 3783 9661  
 k.kato@fluidotech.com

**Fluid-o-Tech Asia (Beijing) Co., Ltd**  
 Jingwei Industrial Zone,  
 Biefang Huairou, Beijing, 101400, PRC  
 Tel. +86 (0) (10) 6168 4650  
 Fax +86 (0) (10) 6168 4651  
 info@fluidotech-asia.com